



ROOF MANIFOLDS & CONNECTIONS

Roof Manifolds & Connections

Elkhart provides several choices in roof manifolds and connections. Roof manifolds provide water control (on mounted building or adjacent buildings) when used with angle hose valves while the roof connections can be used to disperse water to adjacent buildings. All options offer cast brass construction and 2½" outlets rated at 250 gpm (946 lpm) per outlet.



INLET SIZE (Inches)	OUTLET				CERT.	MEASUREMENTS (Inches)						Weight (Lbs.)	MODEL	FIGURE
	NUMBER		STYLE		U.L. LISTED	A	B	C	D	E	F			
	2	3	MALE	FEMALE										
4	•		•		•	5 ⁵ / ₈	3 ¹¹ / ₁₆	4 ³ / ₈	2 ³ / ₈	5 ¹ / ₈	4 ¹⁵ / ₁₆	8	168	1
	•			•	•	5	7 ¹ / ₂	11	6 ⁷ / ₁₆			26 ¹ / ₄	158	3
	•			•	•	5	6 ⁵ / ₈	12 ³ / ₈	5 ⁷ / ₈			16 ¹ / ₄	159	4
	•		•		•	5 ¹ / ₁₆	5 ⁷ / ₁₆	7 ⁷ / ₈	5 ⁵ / ₈			9 ³ / ₄	751	6
		•	•		•	4 ¹ / ₅	5 ¹ / ₄	4 ¹³ / ₁₆	2 ¹ / ₂		4 ³ / ₈	10 ¹ / ₄	168	2
		•		•	•	5	6 ⁵ / ₈	19	5 ⁷ / ₈			27 ¹ / ₄	159	4
6	•		•		•	5 ⁵ / ₈	4 ¹¹ / ₁₆	4 ¹⁵ / ₁₆	2 ⁵ / ₈	7 ¹ / ₄	5 ¹¹ / ₁₆	14 ¹ / ₄	168	1
	•			•	•	7 ¹ / ₂	7 ¹ / ₂	11 ¹ / ₂	8			26 ¹ / ₄	158	3
	•			•	•	7 ¹ / ₄	6 ⁵ / ₈	12 ³ / ₈	7 ¹⁵ / ₁₆			31 ¹ / ₄	159	4
	•		•		•	7 ¹ / ₂	9 ¹ / ₂	10 ¹¹ / ₁₆	8			20 ¹ / ₄	755	7
		•	•		•	5 ¹ / ₄	7 ¹ / ₄	4 ¹⁵ / ₁₆	2 ¹¹ / ₁₆		5 ³ / ₈	15 ¹ / ₄	168	2
		•		•	•	7 ³ / ₈	6 ⁵ / ₈	17 ¹ / ₄	6 ¹ / ₈			24 ³ / ₈	158	3
		•		•	•	7 ¹ / ₄	6 ⁵ / ₈	19	7 ¹⁵ / ₁₆			42 ³ / ₄	159	4
	•		•	•	7 ¹ / ₂	4 ³ / ₄	10 ¹¹ / ₁₆	10 ¹ / ₂			20 ³ / ₈	761	5	

ADDITIONAL INFORMATION

- When ordering, specify model number, inlet size and number of outlets.
- Each outlet has a rated flow of 250 gpm (946 lpm).
- Roof manifolds can be used in alternate applications and/or to test fire pump systems.

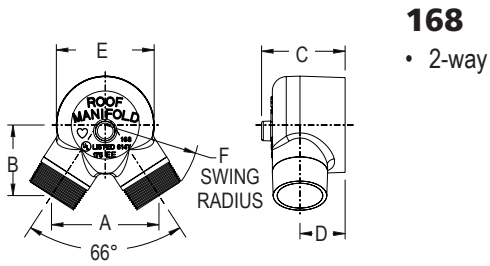
THREADS

All threads are NPT unless otherwise specified.



ROOF MANIFOLDS & CONNECTIONS

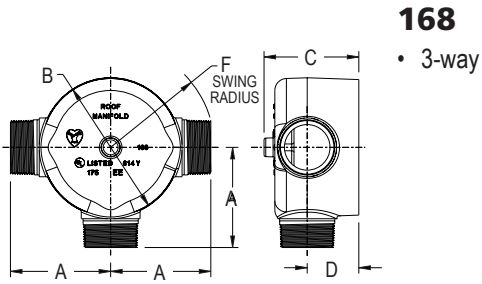
FIGURE 1



168
• 2-way

Fig. 1

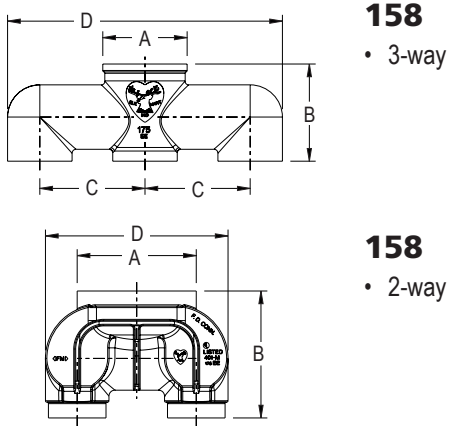
FIGURE 2



168
• 3-way

Fig. 2

FIGURE 3

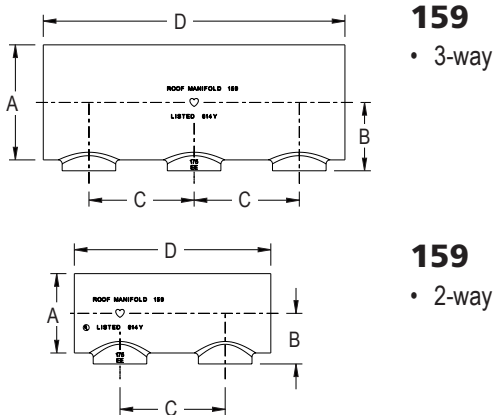


158
• 3-way

158
• 2-way

Fig. 3

FIGURE 4

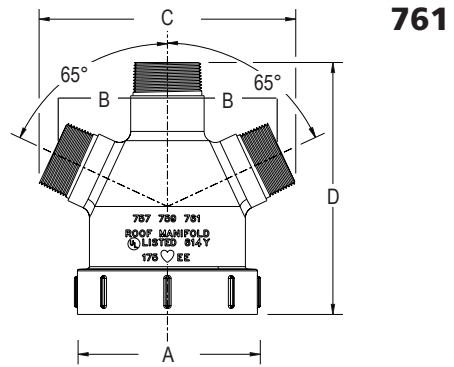


159
• 3-way

159
• 2-way

Fig. 4

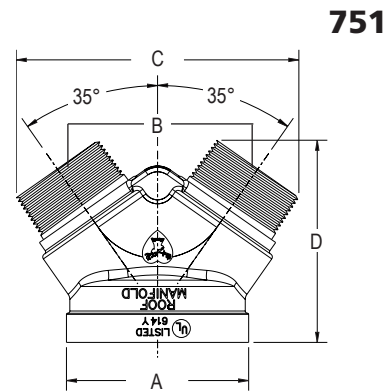
FIGURE 5



761

Fig. 5

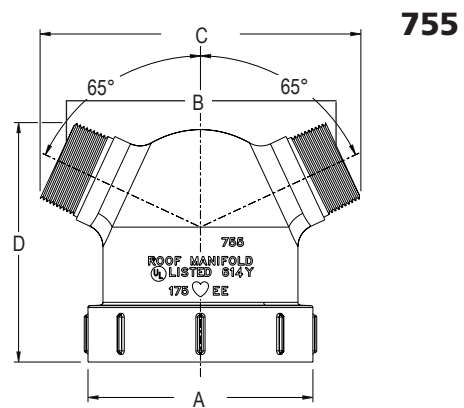
FIGURE 6



751

Fig. 6

FIGURE 7



755

Fig. 7