

MONITORS



MAGNUM™ EXM

MONITORS

Magnum™ EXM

With its large 6" inlet and unique waterway, the 7600 EXM is capable of providing 5000 GPM (18925 LPM) flow where you need it most. Designing the 7600 to be a part of the EXM family ensures the same level of quality and durability the industry has come to know. In addition, it has the same programmable EXM features such as 3D travel limits, keep-out zones, travel speeds, stow position, and oscillation.

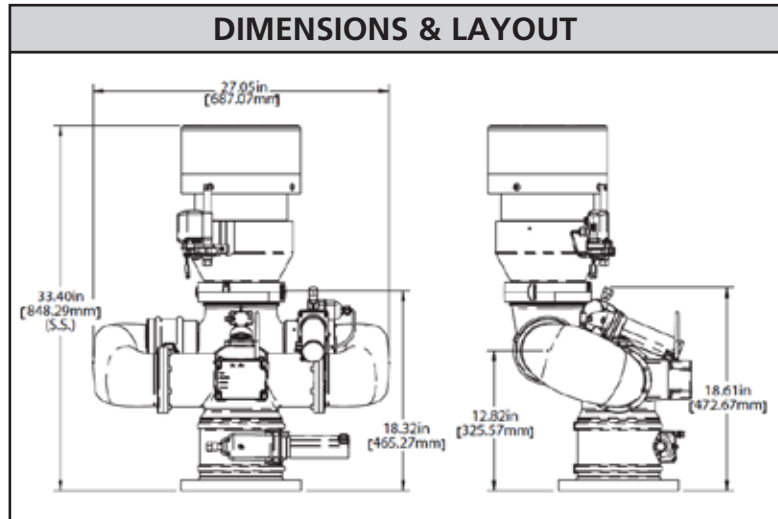
- 5000 GPM flow
- Large range of travel: -60° to +90° vertical & L175° to R175° horizontal
- Patented, elliptical waterway is Teflon impregnated, hard anodized aluminum alloy
- Programmable travel speeds, 3D travel limits, keep out zones, stow and oscillation

5-10

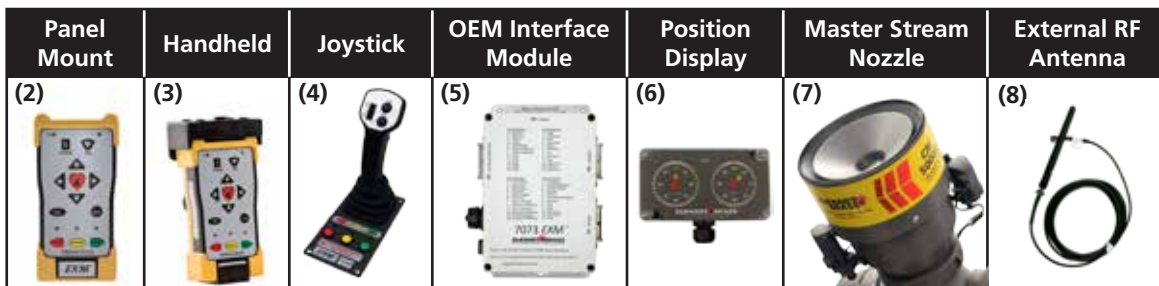
Magnum™ EXM
Mo. 7600
(Nozzle sold separately)



SPECIFICATIONS	
Model	7600
Max Flow	5000 GPM (18925 LPM)
Max Pressure	200 PSI (13.8 bar)
Inlet	6" 150# Flange
Outlet	6" Male NHT
Travel (Factory Settings)	V: -60° to +90° (120°) H: L175 to R175 (350°)
Voltage	11-32 VDC
Control Communication	CAN bus (J1939) Digital radio frequency (unlicensed)
Material/Finish	Teflon impregnated, hard anodized Elk-O-Lite®
Swing Radius	14.5" (360°)
Stow Height	19"
Weight	115 Lbs. (52kg) w/ nozzle



Recommended Products



Components & Options Chart

COMPONENTS & OPTIONS			ILLUSTRATION	MODEL
Electric Nozzles	CM Series Fixed	6" Inlet: 3000 GPM (11355 LPM) @ 80 PSI (5.5 BAR)	7	CM-3000E
		6" Inlet: 5000 GPM (18925 LPM) @ 100 PSI (6.9 BAR)	7	CM-5000E
		6" Inlet: 3000 GPM (11355 LPM) @ 130 PSI (13.8 BAR)	Not Pictured	CM-3000EX
Controllers	EXM Panel Mount Controller	Complete panel mount operator control suitable for 2-wire connection to any EXM enabled component.	2	7010
	EXM Handheld Controller Kit	This package includes the panel mount controller (7010), handheld conversion kit (7020), & RF transceiver module (7061). Comes pre-assembled, configured, and ready to use.	3	7015
	EXM Joystick Controller	Joystick operator control unit suitable for connection to an EXM OEM Interface Module.	4	7030
Modules	EXM Position Display Module	Monitor vertical and horizontal position display unit suitable for 2-wire connection to any EXM enabled component.	6	7051
	EXM OEM Interface Module (Wireless RF & CAN)	EXM system interface - allows connection of model 7030 Joystick or other simple OEM supplied electromechanical switches to EXM system.	Not Pictured	7072
	EXM OEM Interface Module (Wired CAN only)	EXM system interface - allows connection of model 7030 Joystick or other simple OEM supplied electromechanical switches to EXM system.	5	7073
	EXM CAN Stow Module	Connects to lockout devices to prevent equipment damage due to an improperly positioned monitor.	Not Pictured	7095
Accessories	External RF Antenna	10 ft extension for 7070 OEM Interface module	8	7062