



FREE STANDING OUTLET

Type	NPT INLET SIZE (Inches)	NUMBER OF 2.5" M NHT OUTLETS			CERTIFICATION	MEASUREMENTS (Inches)						AVAILABLE ESCUTCHEONS		FINISH		Weight (Lbs.)	MODEL	FIGURE	
		2	3	4		FM Approved	A	B	C	D	E	F	Hydrant	Pump Test Conn.	Polished Brass				Polished Chrome
Hydrants	4.0	•			•	9 ¹ / ₄	8 ⁵ / ₁₆	1/2	18 ¹ / ₄	20 ⁷ / ₈	23 ² / ₃	•		s	o	30	16-2W 4"*	1	
	6.0	•			•	11 ⁵ / ₈	10 ¹ / ₁₆	1/2	18 ¹ / ₄	21	23 ¹³ / ₁₆	•		s	o	36 ¹ / ₄	16-2W 6"*	1	
			•			•	11 ⁵ / ₈	8 ⁷ / ₈	1/2	18 ¹ / ₄	21 ¹ / ₈	23 ⁹ / ₁₆	•		s	o	39 ³ / ₄	16-3W	2
					•		11 ¹¹ / ₁₆	8 ¹ / ₂	1/2	18 ¹ / ₄		34 ⁹ / ₁₆	•		s	o	134	16-4W**	3
Pump Test Connections	4.0	•				9 ¹ / ₄	8 ⁵ / ₁₆	1/2	18 ¹ / ₄	20 ⁷ / ₈	23 ³ / ₄		•	s	o	30	16-P 2W 4"	1	
	6.0	•				11 ⁵ / ₈	10 ¹ / ₁₆	1/2	18 ¹ / ₄	21	23 ¹³ / ₁₆		•	s	o	36 ¹ / ₄	16-P 2W 6"	1	
			•				11 ⁵ / ₈	8 ⁷ / ₈	1/2	18 ¹ / ₄	21 ¹ / ₈	23 ⁹ / ₁₆		•	s	o	39 ³ / ₄	16-P 3W	2
					•		11 ¹¹ / ₁₆	8 ¹ / ₂	1/2	18 ¹ / ₄		34 ⁹ / ₁₆		•	s	o	134	16-P 4W**	3

Key s = standard o = option

* Can order parts (sleeve or body) separately.

** Bodies of the 4-way products are rough brass or rough chrome with balance of parts polished.

ADDITIONAL INFORMATION

- Each outlet has a rated flow of 250 gpm (946 lpm).
- Elkhart's sidewalk bodies are rated for 175 psi (12.1 bar).
- Supplied with caps (#310) and chains.

THREADS

Unless otherwise noted, all hose threads are NHT. See index T-13 for available optional threads.

OTHER PRODUCTS

154-S – A cast brass valve control for actuating underground mounted valve, used with Elkhart's model #16 (a sidewalk type hydrant), is available. The 154-S comes with a 7/8" square steel extension rod that is 24" long and has a special coupling for attaching to stem of gate valve. Additionally, a cap, chain and sleeve are included. Please specify polished brass or polished chrome-plated sleeve.

- Note: a 2¹/₂" hole is required in the concrete slab, as well as a 1¹/₂" nipple and locknut which are not included.
- This product is similar, in function, to the 164 seen on page 13-18.

• Use of a X-86 gate valve is suggested on Pump Test Connections. Gate valve may be found on page 8-5.

FIGURE 1

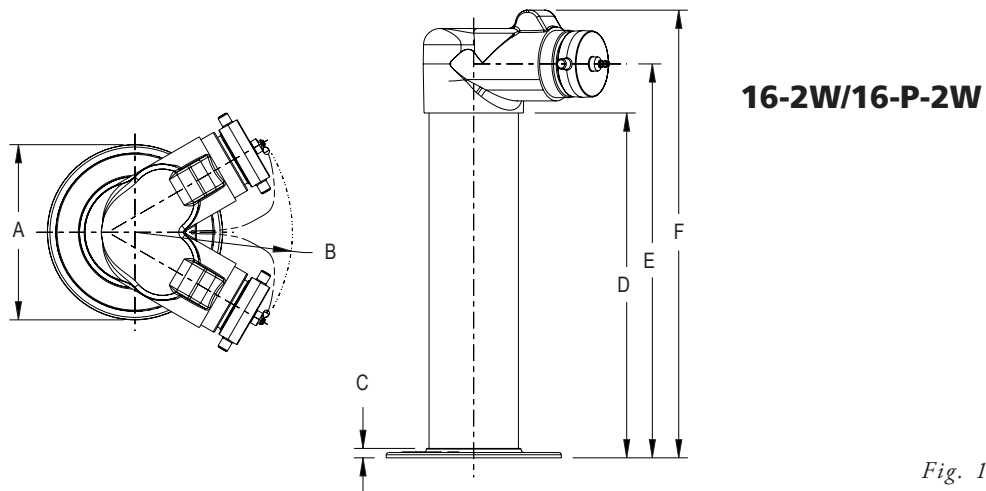


FIGURE 2

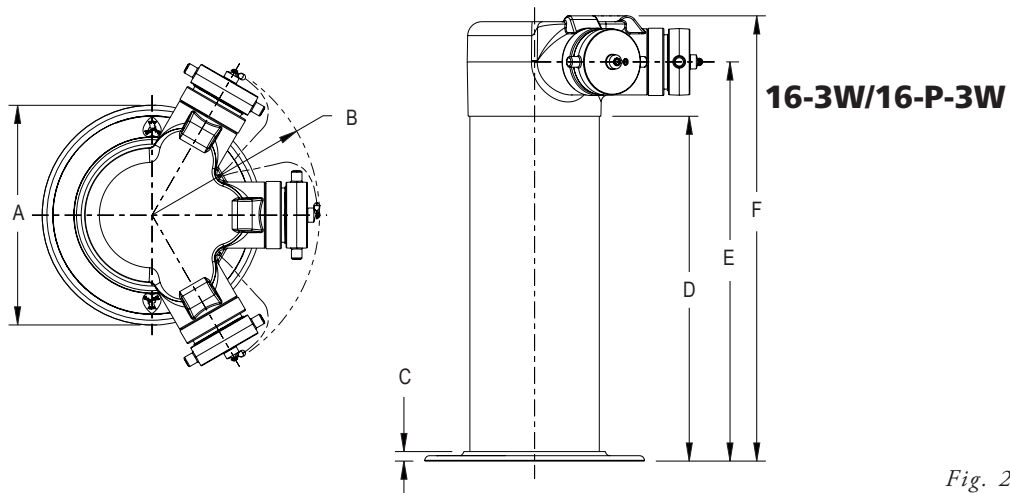


FIGURE 3

