



## FREE STANDING INLET

NPT OUTLET SIZE (Inches)	NUMBER OF 2.5" F NHT INLETS			CLAPPER TYPE		CERTI- FICATIONS		MEASUREMENTS (Inches)						AVAILABLE ESCUTCHEONS			FINISH		Weight (Lbs.)	MODEL	FIGURE
	2	3	4	Body (Drop)	Snoot	FM Approved	U.L. Listed	A	B	C	D	E	F	Auto-Spkr	Standpipe	Standpipe and Auto-Spkr	Polished Brass	Polished Chrome			
4.0	•			•		•	•	9 <sup>1</sup> / <sub>4</sub>	8 <sup>7</sup> / <sub>16</sub>	1/2	18 <sup>1</sup> / <sub>4</sub>	23 <sup>11</sup> / <sub>16</sub>	23 <sup>11</sup> / <sub>16</sub>	•	•	•	s	o	30	15-2W 4"	1
6.0	•			•		•		11 <sup>5</sup> / <sub>8</sub>	9 <sup>3</sup> / <sub>4</sub>	1/2	18 <sup>1</sup> / <sub>4</sub>	23 <sup>11</sup> / <sub>16</sub>	23 <sup>11</sup> / <sub>16</sub>	•	•	•	s	o	36 <sup>1</sup> / <sub>4</sub>	15-2W 6"	1
		•		•				11 <sup>5</sup> / <sub>8</sub>	9 <sup>3</sup> / <sub>4</sub>	1/2	18 <sup>1</sup> / <sub>4</sub>	23 <sup>9</sup> / <sub>16</sub>	23 <sup>9</sup> / <sub>16</sub>	•	•	•	s	o	39 <sup>3</sup> / <sub>4</sub>	15-3W	2
			•	•				11 <sup>13</sup> / <sub>16</sub>	12 <sup>7</sup> / <sub>8</sub>	1/2	18 <sup>1</sup> / <sub>4</sub>		34 <sup>7</sup> / <sub>16</sub>	•	•	•	s	o	134	15-4W	3

Key s = standard o = option

\* Can order parts (sleeve or body with clapper) separately.

\*\* Bodies of the 4-way products are rough brass or rough chrome with balance of parts polished.

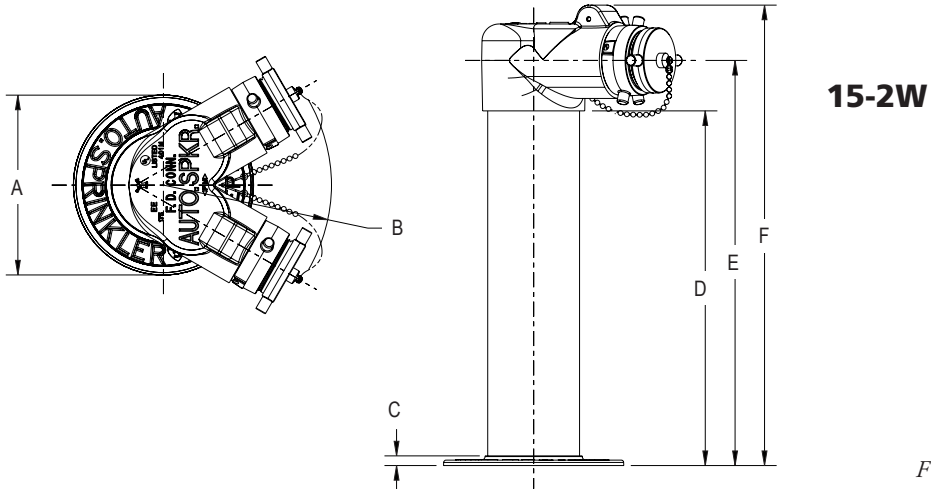
### ADDITIONAL INFORMATION

- Each 2<sup>1</sup>/<sub>2</sub>" NHT inlet has a rated flow of 250 gpm (946 lpm).
- Elkhart's sidewalk bodies are rated for 175 psi (12.1 bar).
- Supplied with plugs (#311) and chains.

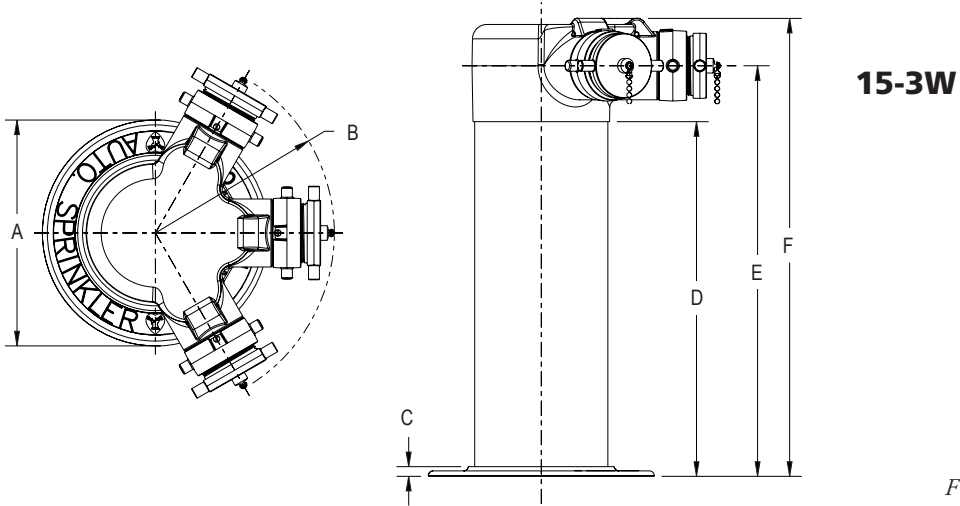
### THREADS

Unless otherwise noted, all hose threads are NHT. See index T-13 for available optional threads.

**FIGURE 1**



**FIGURE 2**



**FIGURE 3**

