



## FLUSH OUTLET

Type	NPT INLET SIZE (Inches)	OUTLETS			BODY TYPE	MEASUREMENTS (Inches)										AVAILABLE ESCUTCHEON LETTERING		FINISH		Weight (lbs.)	MODEL	FIGURE	FM APPROVED	
		Number of 2.5" M NHT Outlets				Straight	90°	A	B	C	D	E	F	G	H	J	Pump Test	Wall Hydrant	Polished Brass					Polished Chrome
		1	2	3																				
Hydrant	2½	•					7½			¾							s	s	o	6¾	152 2.5"	1		
		•					10½			¾				7			s	s	o	9¾	162 2.5"	2		
	3	•					7½			¾							s	s	o	5¾	152 3"	1		
		•					10½			¾				7			s	s	o	8¾	162 3"	2		
	4	•			s		13¾	7½				5	6½	8½	11¼		s	s	o	31	163 4" ST*	3	•	
		•			o		13¾	7½	¾	¾	6¾	5	6½	5½	11½		s	s	o	28¾	163 4" 90*	4	•	
6	•			s		13¾	7½				7½	8	8½	11½		s	s	o	35¼	163 6" ST*	3	•		
	•			s		12	7½	4¾	¾	4	7½	7¼	6¾			s	s	o	32¾	163 6" 90*	4	•		
Pump Test Connections	4	•		s		13¾	7½				5	6½	8½	11¼	s		s	o	31	163P 4" ST	3	•		
		•		s		13¾	7½	¾	¾	6¾	5	6½	5½	11½	s		s	o	28¾	163P 4" 90	4	•		
		•		s		13¾	7½				7½	8	8½	11½	s		s	o	35¼	163P 6" ST	3	•		
	6	•			s		13¾	7½				7½	8	8½	11½	s		s	o	35¼	163P 6" ST	3	•	
		•			s		13¾	7½	4¾	¾	4	7½	7¼	¾	12	s		s	o	32¾	163P 6" 90	4	•	
		•			s		20¾	6¾				7¾	6¾	9½	17¾	s		s	o	68	167-WP	5		
•			s		20¾	6¾				7¾	8½	9½	17¼	s		s	o	70½	167-WP 90	6				

Key s = standard o = option  
 \* Can order body separately.

### ADDITIONAL INFORMATION

- Bodies rated for 175 psi (12.1 bar).
- Each 2½" NHT outlet has a rated flow of 250 gpm (946 lpm).
- Supplied with cap(s) (#310) and chain(s).

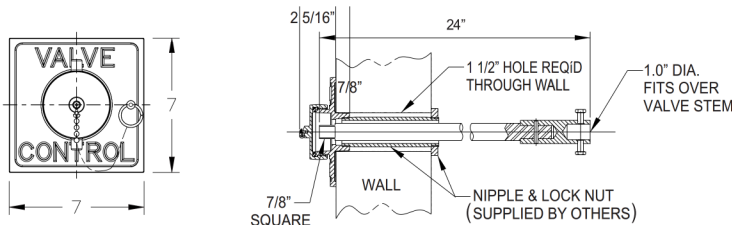
### THREADS

Unless otherwise noted, all hose threads are NHT. See index T-13 for available optional threads.

### OTHER PRODUCTS

- See page 13-20 for Flush 4-Way Outlet Connections.
- 2½" NPT nipple required for all 163, 163P and 167 WP models. Elkhart Brass does not supply.
- On the 163 and 163P, the body is roughed in during construction; escutcheon and nipple assemblies are installed after construction. Elkhart Brass personnel can help with construction installation information.

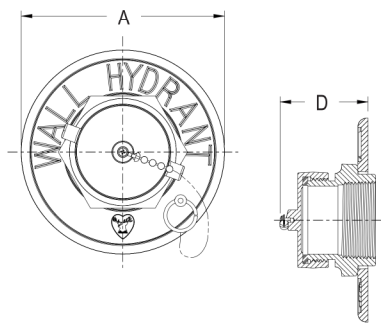
### OPTIONS



**164**

- **164** – A cast brass valve control for use with Elkhart's model 163 is available. The 164 comes with a 7/8" square steel extension rod that is 24" long and has a special coupling for attaching to stem of gate valve. Additionally, a cap, chain and 7" square escutcheon are included. Please specify polished brass or polished chrome-plated. (Note: a 2½" hole is required in the installation wall.)
- **480** – Tee handle used with 164 control valve.

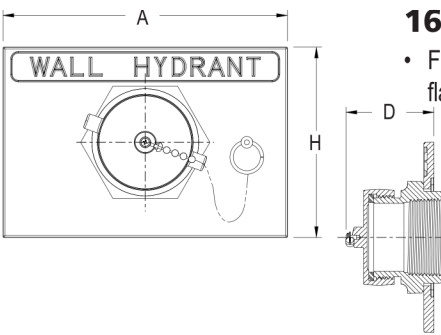
**FIGURE 1**



**152**  
 • Furnished with 7½" round escutcheon

*Fig. 1*

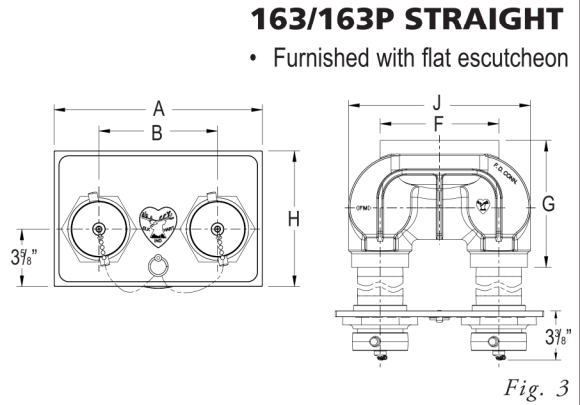
**FIGURE 2**



**162**  
 • Furnished with flat escutcheon (10½" by 7" high)

*Fig. 2*

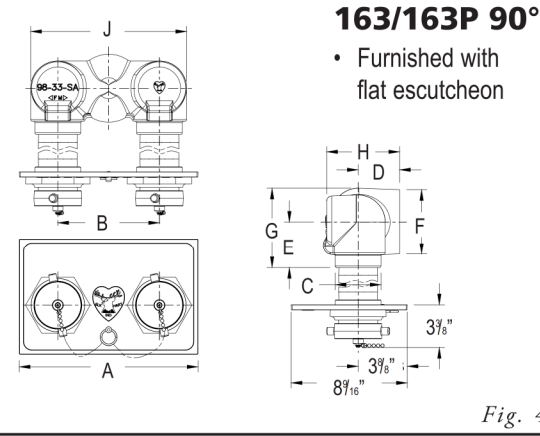
**FIGURE 3**



**163/163P STRAIGHT**  
 • Furnished with flat escutcheon

*Fig. 3*

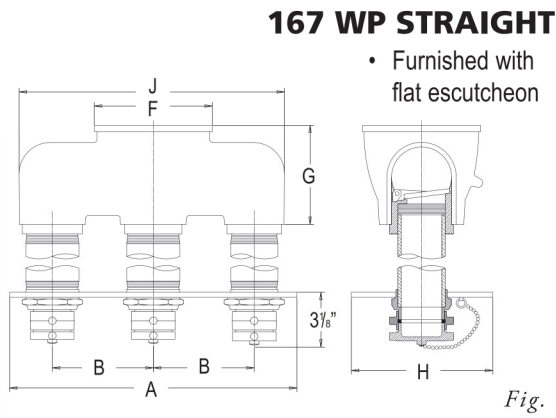
**FIGURE 4**



**163/163P 90°**  
 • Furnished with flat escutcheon

*Fig. 4*

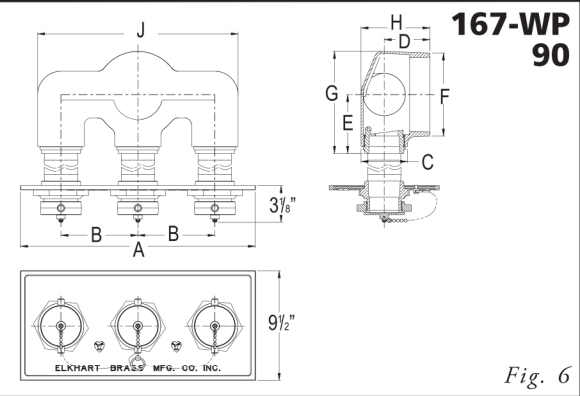
**FIGURE 5**



**167 WP STRAIGHT**  
 • Furnished with flat escutcheon

*Fig. 5*

**FIGURE 6**



**167-WP 90**

*Fig. 6*