



## FLUSH INLET

NPT OUTLET SIZE (Inches)	INLETS				BODY TYPE	Individual Drop Clapper	MEASUREMENTS (Inches)										CERT		AVAILABLE ESCUTCHEON LETTERING		MATERIAL/ FINISH			Weight (Lbs.)	MODEL	FIGURE		
	NHT (F)		STORZ				Straight	Inverted 90°	A	B	C	D	E	F	G	H	J	FM Approved	U.L. Listed	Auto-Spkr	Standpipe	Standpipe and Auto-Spkr	BRASS					
	1.5"	2.5"	4"	5"																			Polished Brass				Polished Chrome	Elk-O-Lite®
	1	1	2	3																			1				1	1
1½	•										3 <sup>7</sup> / <sub>32</sub>							s				s		1¼	141	1		
2½	•										4 <sup>7</sup> / <sub>8</sub>							o	s			s	o	8 <sup>7</sup> / <sub>8</sub>	151-2.5	1		
	•										4 <sup>7</sup> / <sub>8</sub>			7	10 <sup>1</sup> / <sub>2</sub>			s	o			s	o	11	161-2.5	2		
3	•										4½							o	s			s	o	8 <sup>7</sup> / <sub>8</sub>	151-3	1		
	•										4½			7	10 <sup>1</sup> / <sub>2</sub>			s	o			s	o	11¼	161-3	2		
4				•							6							s	o			s		6 <sup>7</sup> / <sub>8</sub>	171	1		
					•						5 <sup>29</sup> / <sub>32</sub>							s	o			s		10 <sup>7</sup> / <sub>8</sub>	171	1		
			•			•	11	7½	5	6 <sup>1</sup> / <sub>16</sub>	3 <sup>29</sup> / <sub>32</sub>	3 <sup>7</sup> / <sub>32</sub>			13 <sup>7</sup> / <sub>16</sub>	•	•	s	o	o		s	o	23	166-4-ST**	3		
			•			•	11½	7½	5	6 <sup>1</sup> / <sub>16</sub>	3 <sup>19</sup> / <sub>32</sub>	3 <sup>3</sup> / <sub>8</sub>	3 <sup>7</sup> / <sub>16</sub>	5 <sup>7</sup> / <sub>8</sub>	13 <sup>7</sup> / <sub>16</sub>	•		s	o	o		s	o	26¼	166-4-90**	4		
			•			•	11 <sup>11</sup> / <sub>16</sub>	7½	5	6¼	3¾	3¾	4 <sup>7</sup> / <sub>16</sub>	7 <sup>1</sup> / <sub>16</sub>	13 <sup>7</sup> / <sub>16</sub>			s	o	o		s	o	31	166-4-INV**	5		
6				•							6¼							s	o			s		7¼	171	1		
					•						6¼							s	o			s		10¼	171	1		
			•			•	11½	7½	7½	8	3¾	3¾			13 <sup>7</sup> / <sub>16</sub>	•		s	o	o		s	o	30¾	166-6-ST**	3		
			•			•	12	7 <sup>7</sup> / <sub>8</sub>	7½	7¾	4	4 <sup>7</sup> / <sub>32</sub>	3 <sup>7</sup> / <sub>16</sub>	6 <sup>5</sup> / <sub>32</sub>	13 <sup>7</sup> / <sub>16</sub>	•		s	o	o		s	o	34 <sup>7</sup> / <sub>8</sub>	166-6-90**	4		
				•		•	17 <sup>7</sup> / <sub>16</sub>	6 <sup>7</sup> / <sub>8</sub>	7 <sup>3</sup> / <sub>8</sub>	6 <sup>11</sup> / <sub>16</sub>	3 <sup>3</sup> / <sub>8</sub>	4 <sup>1</sup> / <sub>16</sub>		4 <sup>7</sup> / <sub>16</sub>					s				s	o	68	167-W-ST***	8	
				•		•	17¼	6 <sup>7</sup> / <sub>8</sub>	7 <sup>7</sup> / <sub>8</sub>	8 <sup>7</sup> / <sub>16</sub>	4 <sup>19</sup> / <sub>32</sub>	4	3 <sup>15</sup> / <sub>16</sub>	5 <sup>15</sup> / <sub>16</sub>	20¼				s				s	o	68	167-W-90***	6	
				•		•	17¾	6 <sup>7</sup> / <sub>8</sub>	7 <sup>7</sup> / <sub>8</sub>	8 <sup>7</sup> / <sub>16</sub>	4 <sup>19</sup> / <sub>32</sub>	4	3 <sup>15</sup> / <sub>16</sub>	5 <sup>15</sup> / <sub>16</sub>	20¼				s				s	o	68	167-W-INV***	7	

Key s = standard o = option  
 \* Straight connection adapter.  
 \*\* Can order body separately.  
 \*\*\* Can order parts (with or without clappers) separately.

### ADDITIONAL INFORMATION

- Bodies rated for 175 psi (12.1 bar).
- Each 2½" NHT inlet has a rated flow of 250 gpm (946 lpm).
- Supplied with plug(s) and chain(s).

### THREADS

Unless otherwise noted, all hose threads are NHT. See index T-13 for available optional threads.

### OTHER PRODUCTS

- See page 13-16 for Flush 4-Way Inlet Connections.
- 2½" nipple required for all 166 and 167-W models. Elkhart Brass does not supply.
- On the 166, the body is roughed in during construction; escutcheon and nipple assemblies are installed after construction. Elkhart Brass personnel can help with construction installation information.

FIGURE 1

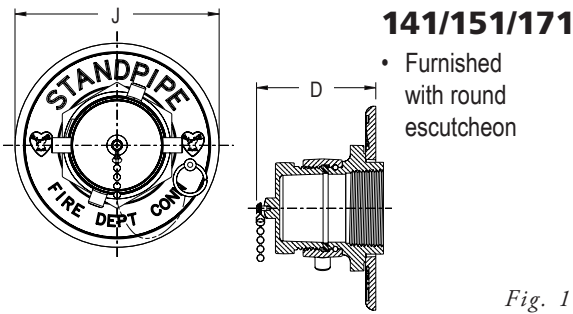


FIGURE 2

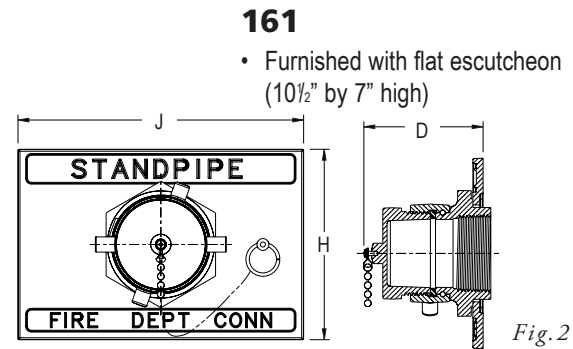


FIGURE 3

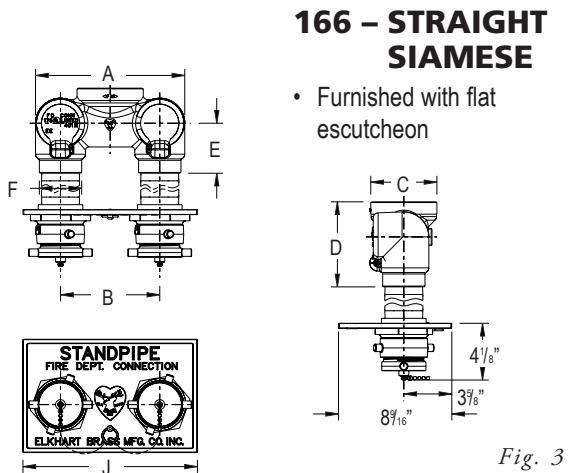


FIGURE 4

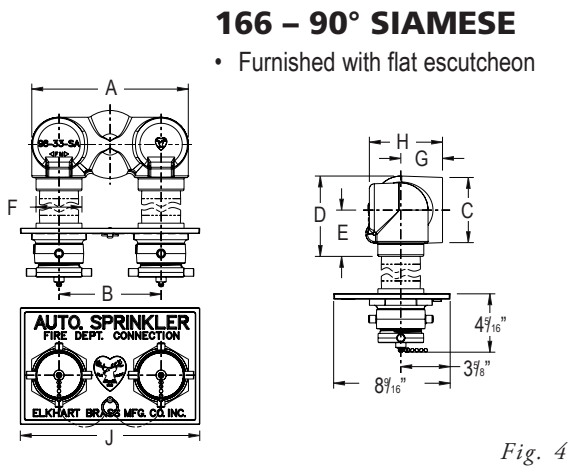


FIGURE 5

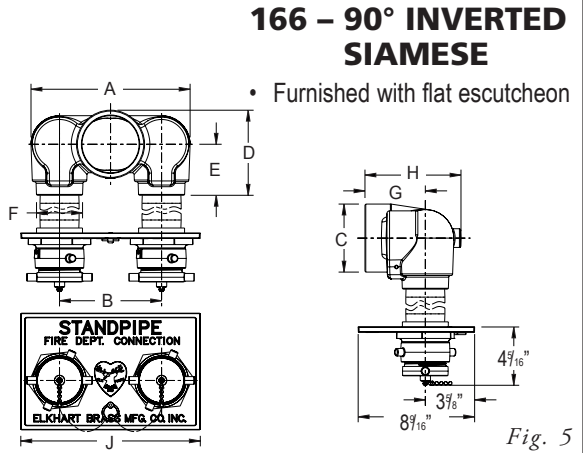


FIGURE 6

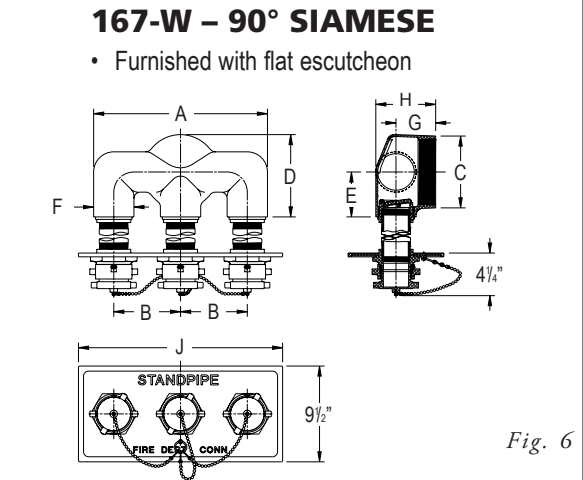


FIGURE 7

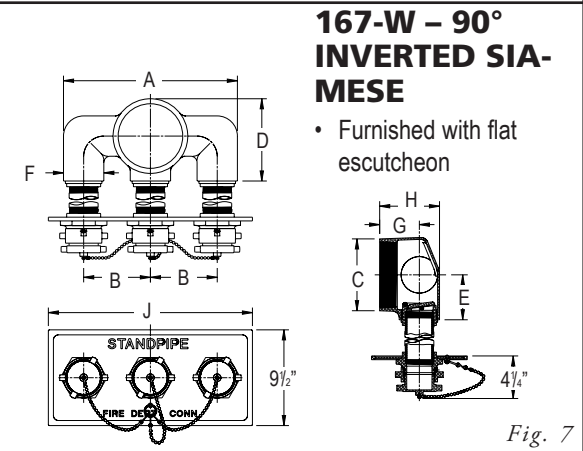


FIGURE 8

