

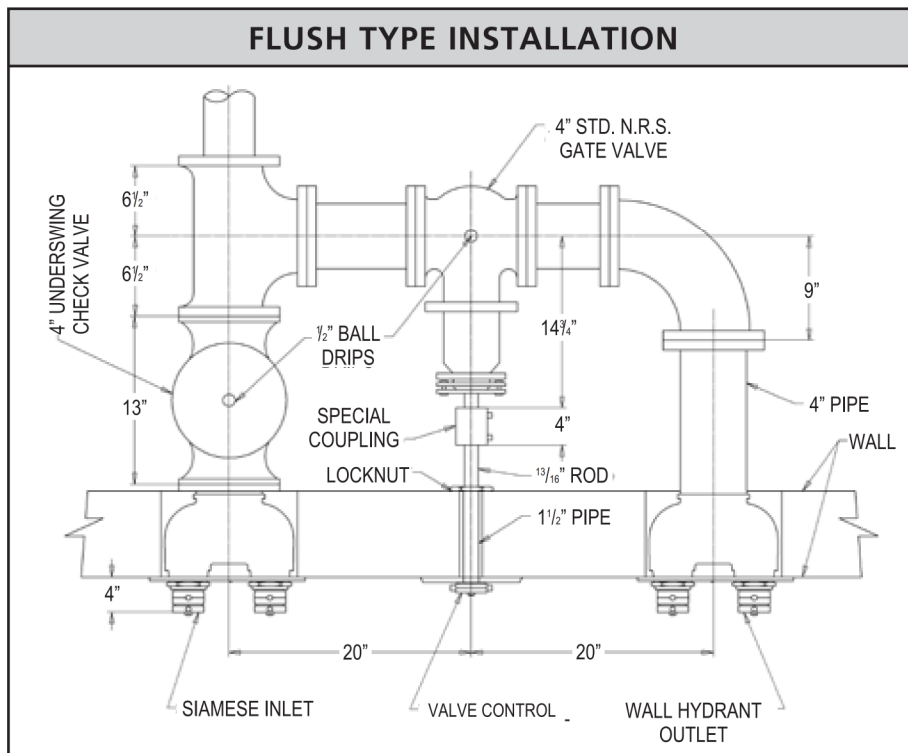


## FLUSH 4-WAY OUTLET

INSTALLATION DIRECTION			BODY TYPE		AVAILABLE ESCUTCHEON LETTERING		FINISH		Weight (Lbs.)	MODEL	FIGURE
Vertical	Horizontal	Square	Straight	90°	Hydrant	Pump Test Conn.	Polished Brass	Polished Chrome			
•			•		s		s	o	92	<b>784</b>	2
	•		•		s		s	o	92	<b>785</b>	3
	•			•	s		s	o	92	<b>787</b>	4
		•		•	s		s	o	109¼	<b>743</b>	1
•			•			s	s	o	92	<b>784-P</b>	2
	•		•			s	s	o	92	<b>785-P</b>	3

Key s = standard o = option

### FLUSH TYPE INSTALLATION



### ADDITIONAL INFORMATION

- Each 2½" M NHT outlet has a rated flow of 250 gpm (946 lpm).
- Inlet connection is a 6" NPT.
- Supplied with caps (#310) and chains.
- Bodies rated for 175 psi (12.1 bar).

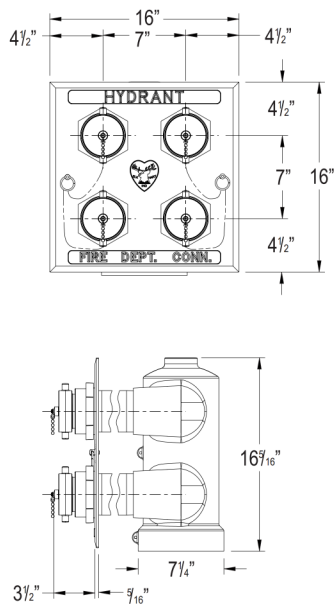
### THREADS

Unless otherwise noted, all hose threads are NHT. See index T-13 for available optional threads.

### OTHER PRODUCTS

- See page 13-18 for Flush Outlet Connections.
- 3" NPT nipple required. Elkhart Brass does not supply.

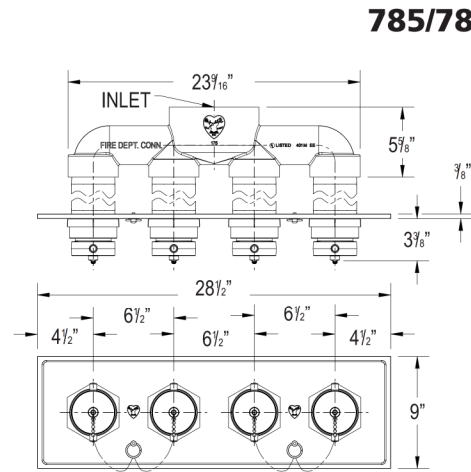
**FIGURE 1**



**743**

*Fig. 1*

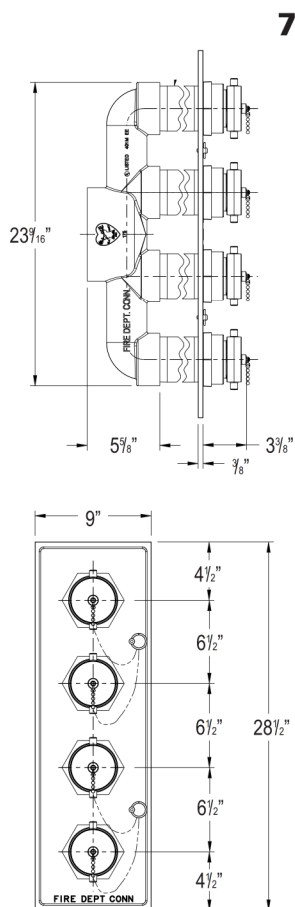
**FIGURE 3**



**785/785-P**

*Fig. 3*

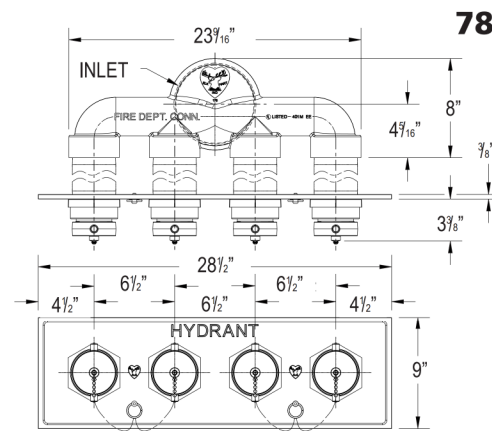
**FIGURE 2**



**784/784-P**

*Fig. 2*

**FIGURE 4**



**787**

*Fig. 4*