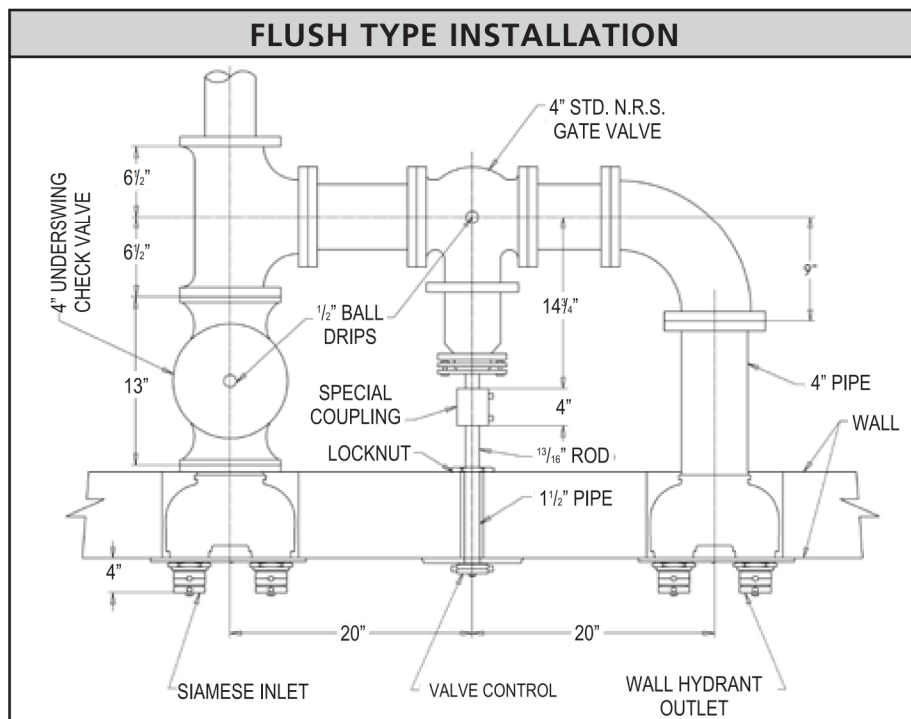




## FLUSH 4-WAY INLET

INSTALLATION DIRECTION			BODY TYPE		SNOOT TYPE		MEASUREMENTS (Inches)		PSI (BAR)	CERTIFICATION	AVAILABLE ESCUTCHEON LETTERING				FINISH		Weight (Lbs.)	MODEL	FIGURE
Vertical	Horizontal	Square	Straight	90°	Clapper	Spring Check	A	B	175 (12.1)	U.L. Listed	Auto-Sprkr	Dry Standpipe	Standpipe	Standpipe and Auto-Sprkr	Polished Brass	Polished Chrome			
•				•	•		8	3 <sup>19</sup> / <sub>16</sub>	•	•	o	o	s	o	s	o	96	780	2
	•			•	•		8	3 <sup>19</sup> / <sub>16</sub>	•	•	o	o	s	o	s	o	96	781	3
•			•		•		5 <sup>7</sup> / <sub>8</sub>	3 <sup>19</sup> / <sub>16</sub>	•	•	o	o	s	o	s	o	96	782	4
	•		•		•		5 <sup>7</sup> / <sub>8</sub>	3 <sup>19</sup> / <sub>16</sub>	•	•	o	o	s	o	s	o	96	783	5
		•		•		•		3 <sup>3</sup> / <sub>4</sub>	•		o	o	s	o	s	o	107 <sup>7</sup> / <sub>8</sub>	739*	1

Key s = standard o = option  
 \* Can order body separately.



### ADDITIONAL INFORMATION

- Each 2<sup>1</sup>/<sub>2</sub>" F NHT inlet has a rated flow of 250 gpm (946 lpm).
- 6" outlet connection.
- Supplied with plugs and chains.

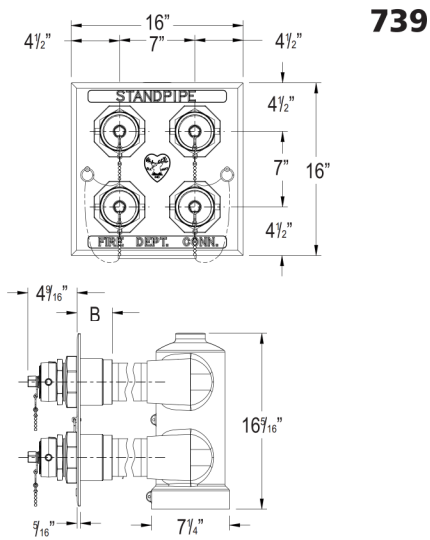
### THREADS

Unless otherwise noted, all hose threads are NHT. See index T-13 for available optional threads.

### OTHER PRODUCTS

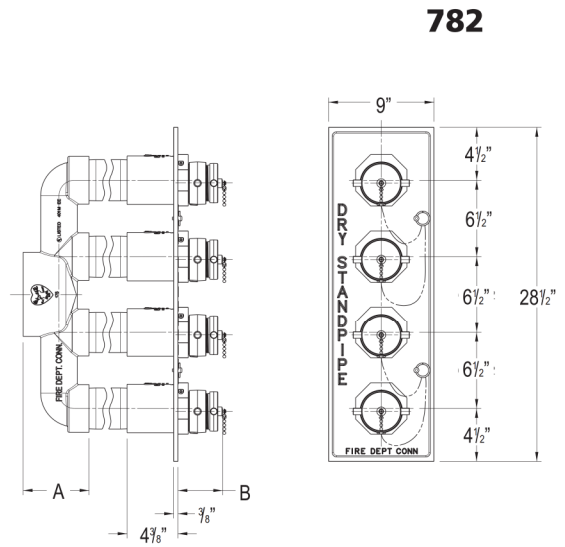
- See page 13-14 for Flush Inlet Connections.
- For 780 and 788 sub-components specifications, see page 13-22.
- 3" NPT nipples required. Elkhart Brass does not supply.

**FIGURE 1**



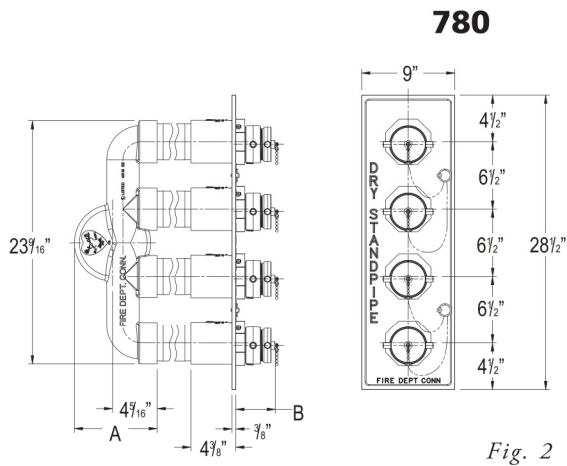
*Fig. 1*

**FIGURE 4**



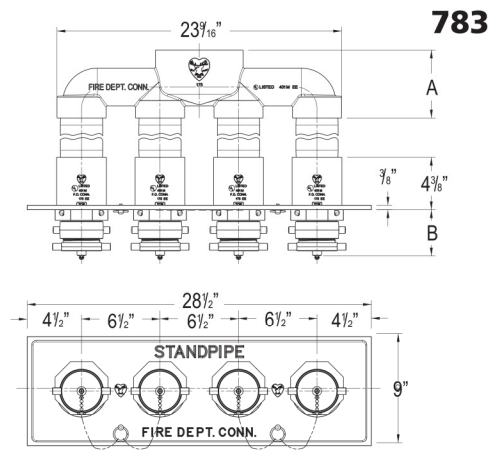
*Fig. 4*

**FIGURE 2**



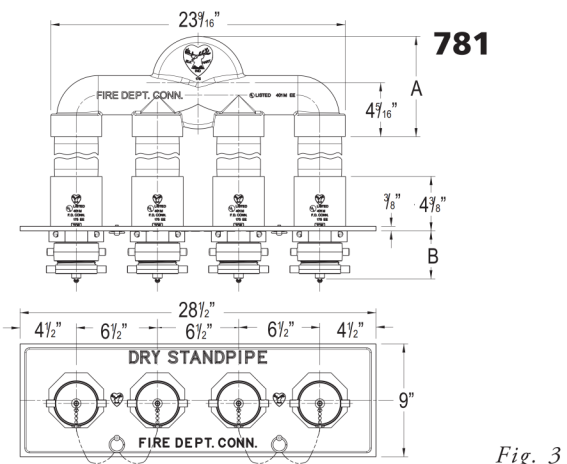
*Fig. 2*

**FIGURE 5**



*Fig. 5*

**FIGURE 3**



*Fig. 3*