



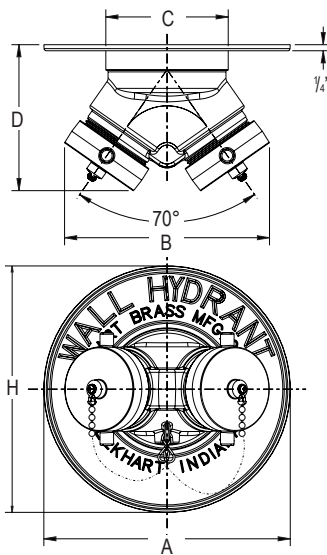
EXPOSED OUTLET

NPT INLET SIZE (Inches)	OUTLET SIZE	MEASUREMENTS (Inches)					AVAILABLE ESCUTCHEON LETTERING	FM Approved	FINISH			Weight (Lbs.)	MODEL	FIGURE
		A	B	C	D	H			Cast Brass	Polished Brass	Polished Chrome			
4	2½	10 ³ / ₁₆	8½	5½	6 ¹ / ₁₆	10 ³ / ₁₆	s		s			13	143*	1
6	2½	11 ⁷ / ₈	12 ⁵ / ₈	7½	11 ¹³ / ₁₆	11 ¹ / ₁₆	s	•	s	o		24	153	2

Key s = standard o = option

* Can order body separately.

FIGURE 1

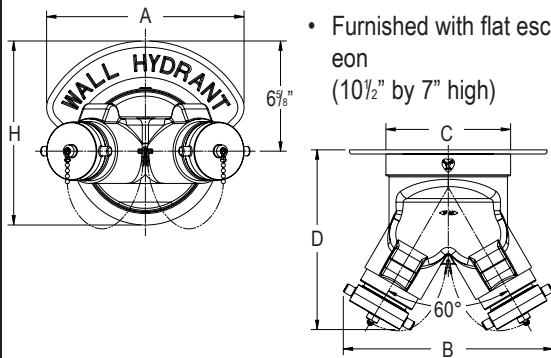


143

- Furnished with aluminum escutcheon with red painted letters

Fig. 1

FIGURE 2



153

- Furnished with flat escutcheon (10½" by 7" high)

Fig. 2

ADDITIONAL INFORMATION

- Bodies rated for 175 psi (12.1 bar).
- Each 2½" M NHT outlet has a rated flow of 250 gpm (946 lpm).
- Supplied with caps (#310) and chains.

THREADS

Unless otherwise noted, all hose threads are NHT. See index T-13 for available optional threads.