

SkyStream™ EXM Monitor

Efficient, high-flow, electric remote controlled water monitor (water cannon) for fire apparatus, industrial pumper, and aerial vehicles.

The SkyStream EXM is an extreme-flow capacity addition to the EXM product family. Developed as the successor to the radio frequency (RF) control series, the EXM operating system is a "plug and play" digital communication and control architecture that simplifies installation while greatly expanding builder and user selectable options.

In addition to the EXM functionality, the SkyStream has been further updated to employ a new ultra high efficient waterway and axially aligned thrust bearings for an increase in flow efficiency vs. the Scorpion EXM, and 10 times greater durability.



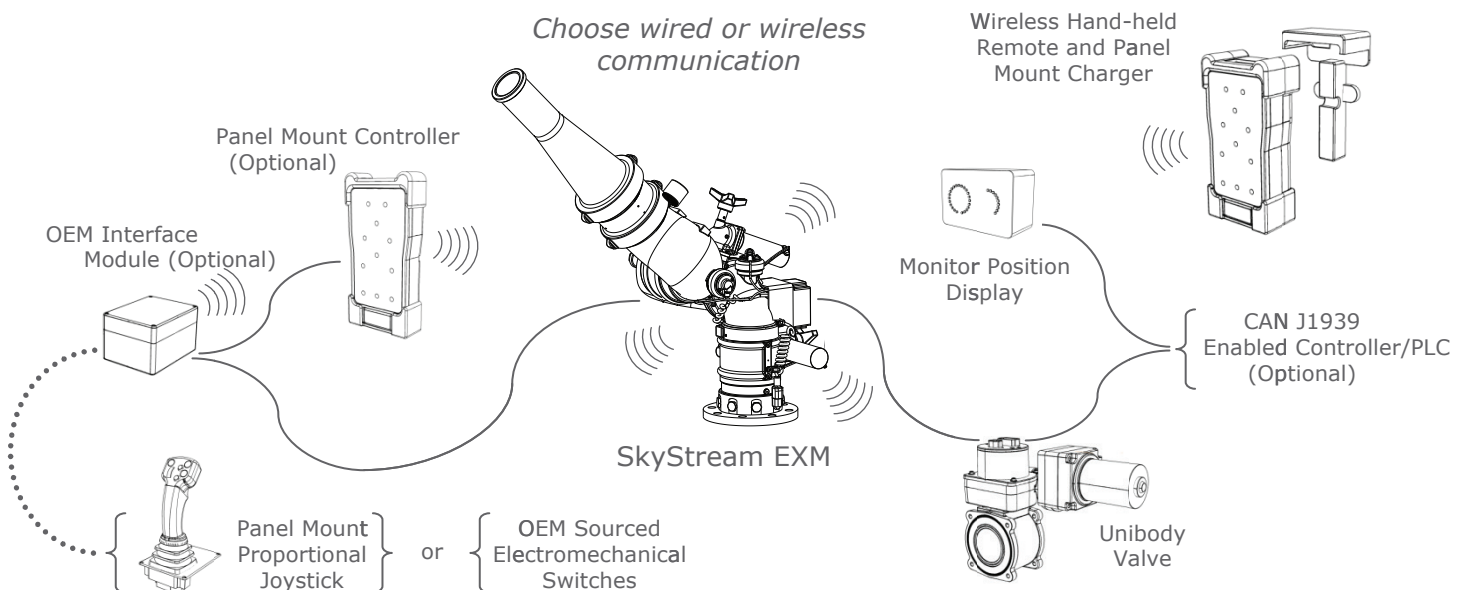
SkyStream™ EXM Monitor

Mechanical Features:

- 3000 GPM (11355 LPM) Flow
- Sealed to NEMA 4
- Axially aligned thrust bearings
- Absolute position sensors
- Manual travel override
- Fully potted electronics
- Teflon impregnated, hard anodized aluminum alloy waterway
- Extreme torque motors
- High efficiency sealed planetary gearboxes

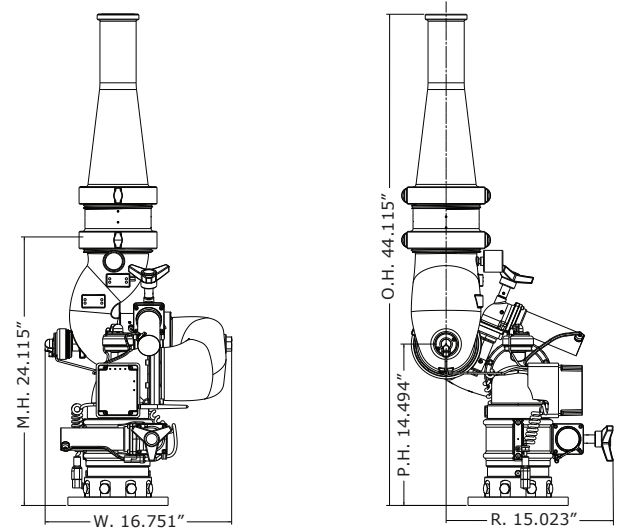
Control Features:

- Universal input voltage 11-27VDC
- Wired or wireless communication
- CAN bus J1939 compatible
- Programmable travel speeds
- Single speed, two speed, or fully proportional speed control
- Programmable 3D Travel Limits, Keep-Out Zones, Travel Speeds, Stow Position, and Oscillation
- Integrated water valve control
- Position display

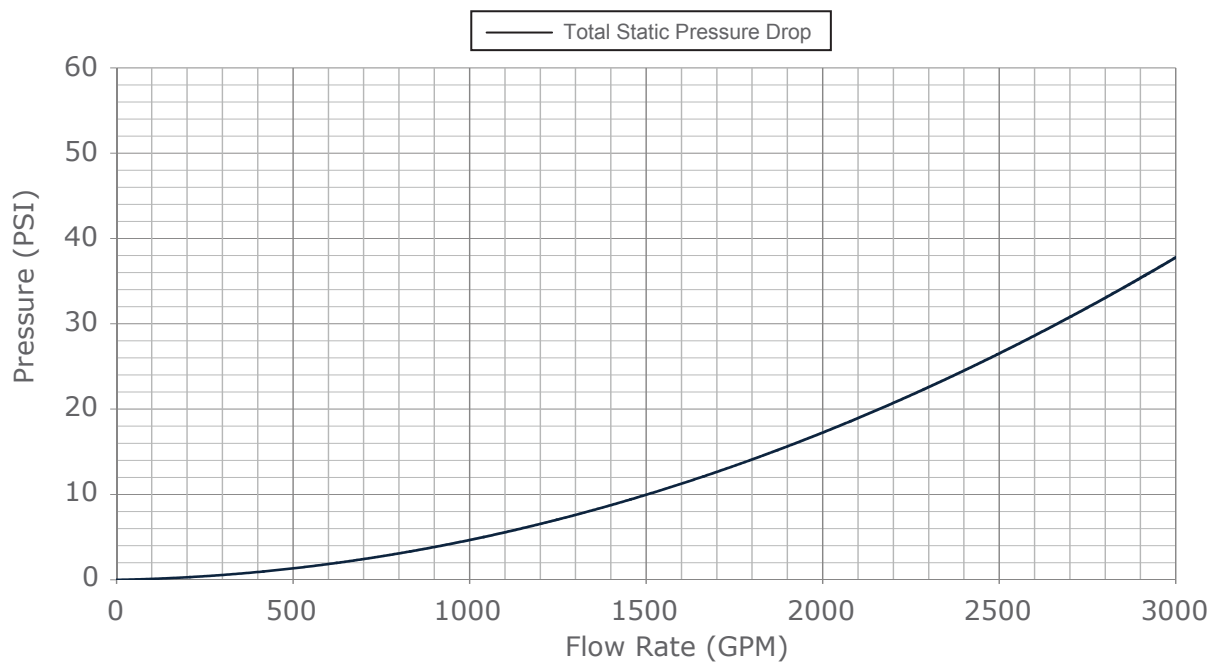


SkyStream™ EXM Monitor

SPECIFICATIONS	
Model	7500
Inlet	4" 150# Flange
Outlet	5" NHT
Travel	V -45° to +90° H L175° to R175°
Voltage	11-27 VDC
Control	Sealed electric motors
Control Communication	CAN bus (J1939) 2.4 GHz digital radio frequency (unlicensed)
Weight	57.7 lbs.
Max Pressure	500 psi



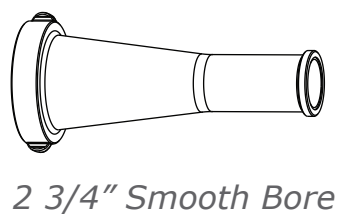
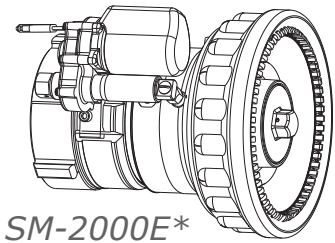
7500 SkyStream EXM Static Pressure Drop (4.0" Inlet and 5" Outlet)



SkyStream™ Master Stream Nozzles

The SM-2000E is an electrically actuated master stream nozzle for use with the SkyStream EXM monitor*. The X-Stream series nozzles automatically adjust to maintain an effective stream and maximum reach at variable or reduced flows. Electric actuators are completely sealed and allow precise pattern control from straight stream to wide fog.

The 2 3/4" Smooth Bore nozzle is a custom nozzle specifically designed for use with the SkyStream EXM. At 17" long, it is capable of providing a reach of 120 meters when 150 PSI is supplied to base of monitor.



SPECIFICATIONS			
Model	Inlet	Pressure PSI(BAR)	Flow Range - GPM(LPM)
SM2000E*	3.5"	80 (5.51)	500-2000 (1893-7571)
2 3/4" SB	5"		500-3000 (1893-11355)

* Requires adapter P/N 11375001 for use with SM-2000E