

Nitro HD Monitor

The Nitro HD monitor is specially designed for severe duty cycles. Unique waterway swivel joints utilize stainless steel thrust rods and needle roller thrust bearings for unprecedented durability in mining and construction applications. High power, permanent magnet DC gear motors that drive the left-right and up-down monitor motions are NEMA 4 rated for use in harsh environments. The monitor has a flow efficient 2¼" vaned waterway to minimize turbulence and provide superior nozzle streams. The water supply connection in the monitor base is a 2½" female national pipe thread, and the discharge nozzle connection has a 2½" national hose male thread.

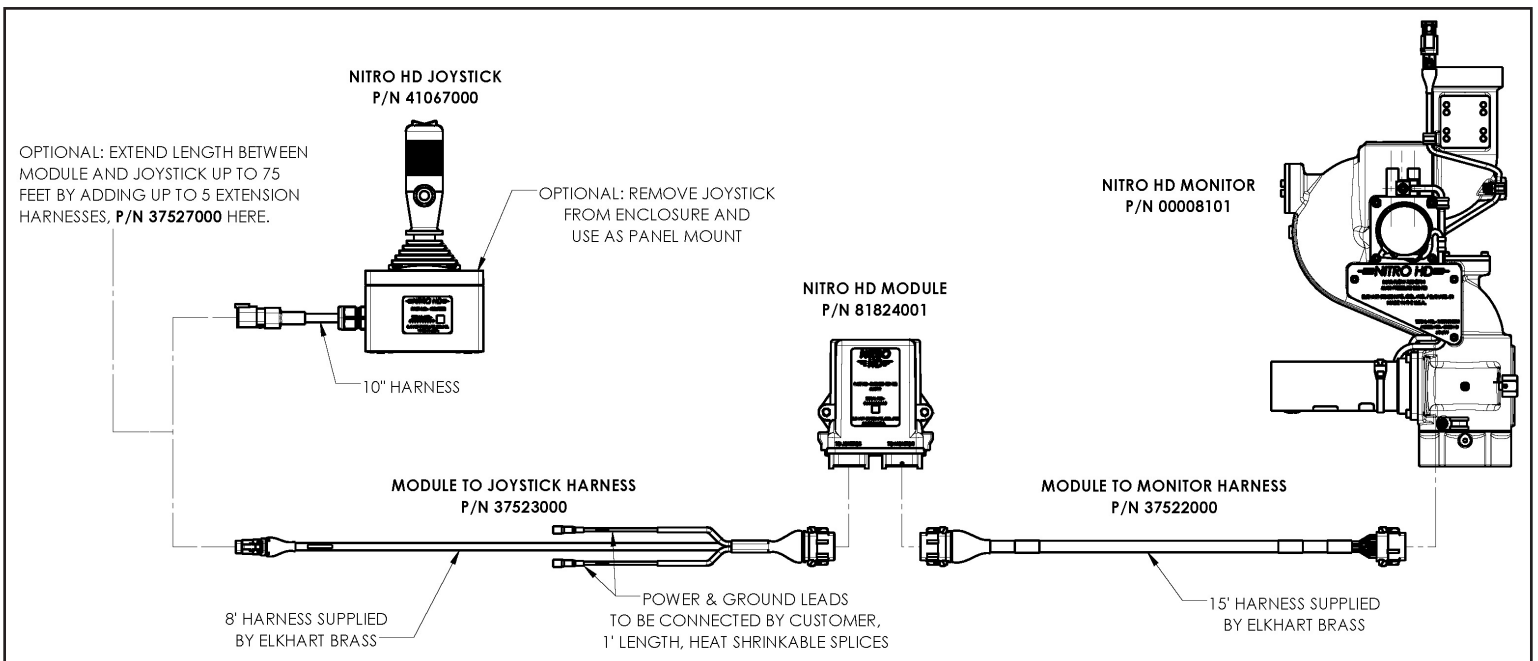


Mechanical Features:

- 750 GPM (2839 LPM) Flow
- Changeable nozzle stems to provide varying levels of flow
- Patented elliptical waterway
- Axially aligned thrust bearings
- Manual travel override
- Teflon impregnated, hard anodized aluminum alloy waterway
- Extreme torque motors with high efficiency sealed planetary gearboxes
- Sealed to NEMA 4

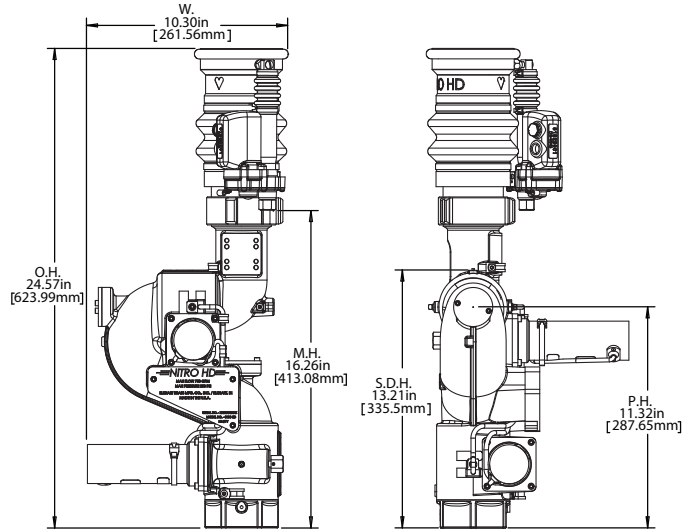
Control Features:

- 12 or 24 VDC Input Voltage
- True Plug and Play setup, no configuration or calibration necessary
- Two field-selectable ranges of horizontal and vertical travel
- One hand operation of monitor, nozzle, and valve (valve not included)
- Fully potted End-of-travel sensors
- Top rocker switch nozzle control
- Trigger input for valve control

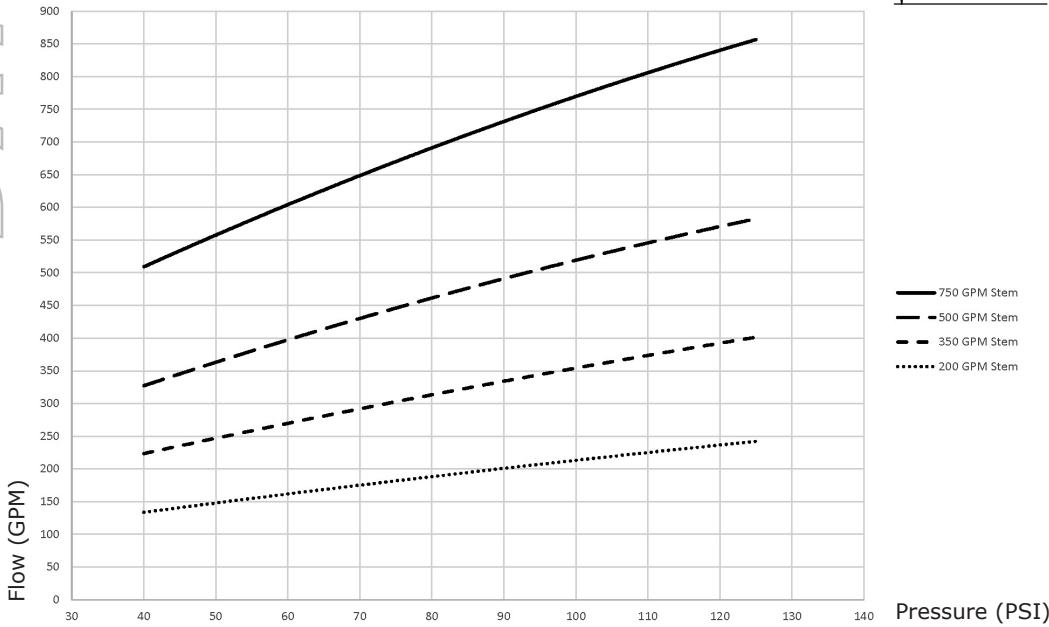


Nitro HD Monitor

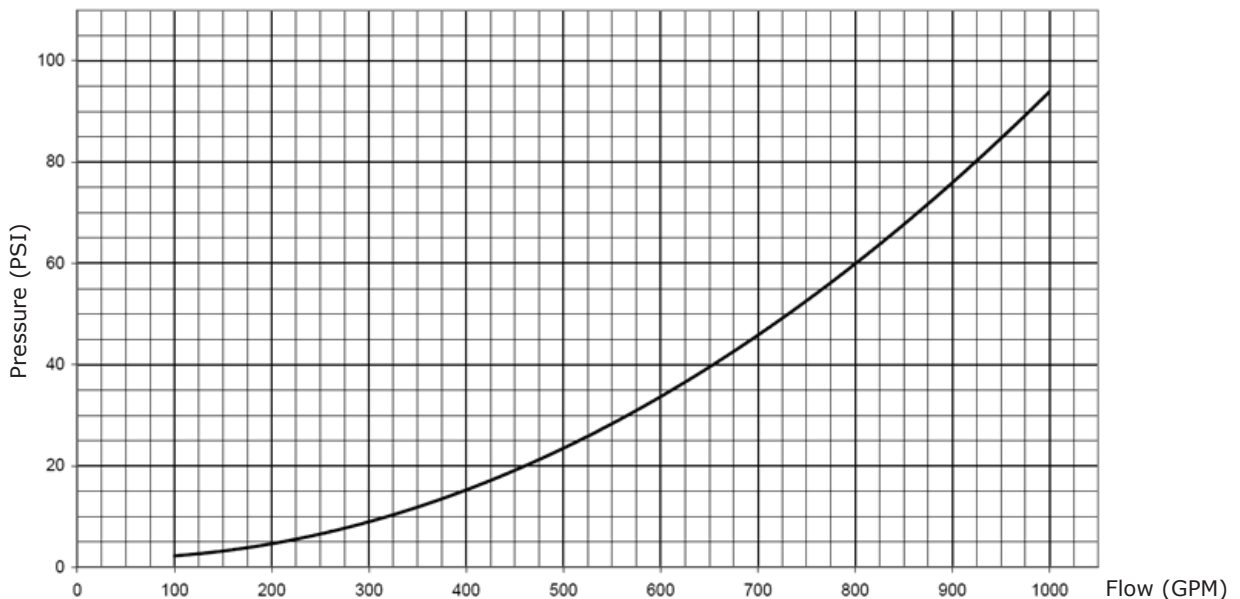
SPECIFICATIONS	
Model	8100
Max Flow	750 GPM (2839 LPM)
Max Pressure	250 PSI (17.2 Bar)
Inlet	2.5" NPT Female
Outlet	2.5" NHT Male
Travel (Field Selectable)	V: Either -45°/+90° or -45°/+45° H: Either L90°/R90° or L175°/R175°
Swing Radius	8.7" (360°)
Stow Height	13.21"
Weight	17 Lbs.



7000-EHD Nozzle Pressure & Flow



8100 Nitro HD Monitor Pressure Drop (2.5" Inlet, 2.5" Outlet)



DATA SHEET